



AM NOYEE Package

The solution for unloading Asphalt, Asphalt Emulsion, Bitumen, Bitumen Emulsion

System Concept:

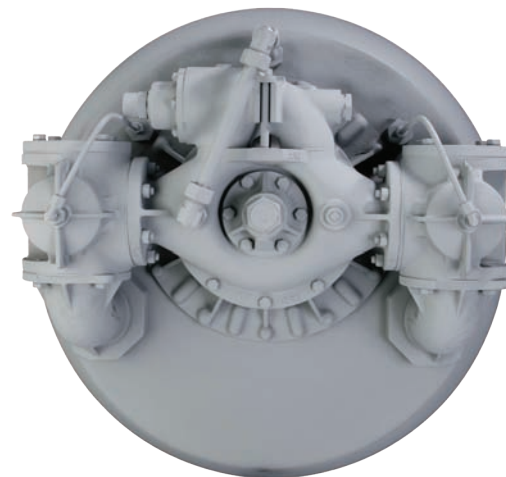
Enclosed Package Provides Peace Of Mind

- Compact, all the components are mounted on tank bulkhead
- No reheating system needed, the pump is submerged into the product
- Multi-purpose, attached valves enables the system to carry out all necessary operations (see details on back page)
- Easy to operate valves, sturdy key supplied, lubrication port to prevent the servo valves from sticking
- Easy to clean system, built-in flushing system
- No maintenance required

Pump Concept:

Reliable System

- A Series eccentric disc pump
- Low RPM speed
- Exceptional suction capacity that enables emptying of the piping systems
- Constant flow regardless of viscosity and pressure
- Performance guaranteed over time, clearance compensation device



Internal Tank Side



External Tank Side

Flow rates up to 40 m³/h (176 gpm)



AM NOYEE Package

The solution for unloading Asphalt, Asphalt Emulsion, Bitumen, Bitumen Emulsion

Performance Data

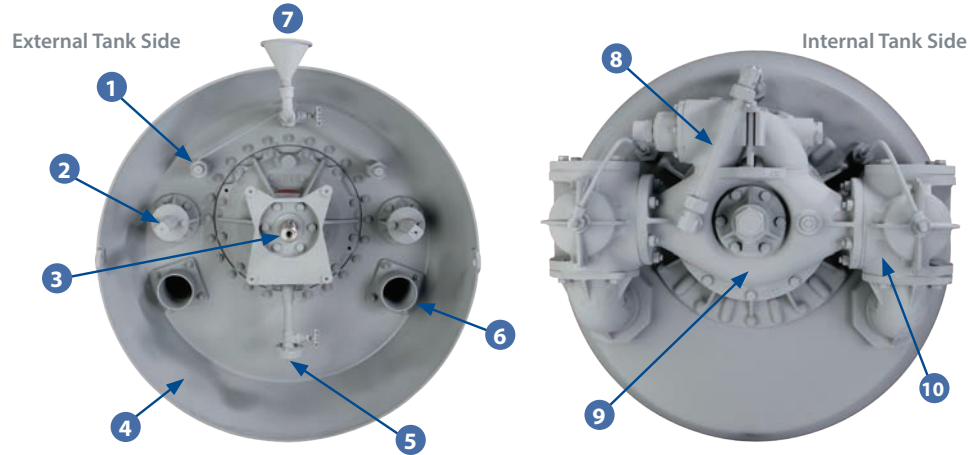
- Weight (With bare shaft pump): 197 kg (528 lbs.)
- Maximum Pressure: 3.5 bar (50 psi)
- Maximum Temperature: 200° C (392° F)

Flow Rate

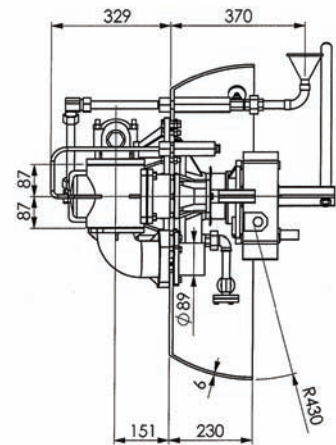
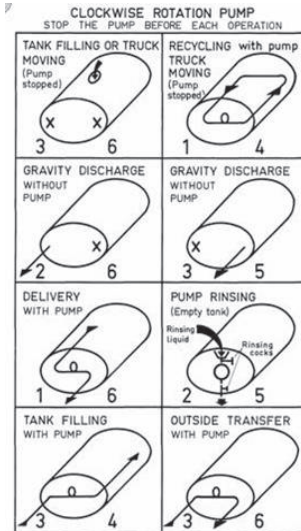
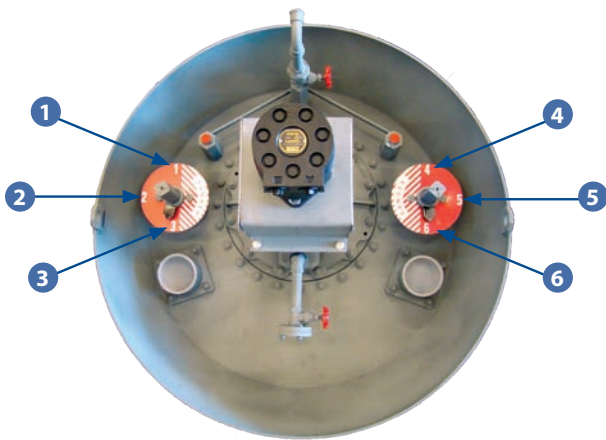
Speed (t/min)	Flow Rate	Power
350	28 m ³ /hr (123 gpm)	5 kW (6.7 HP)
400	32 m ³ /hr (140 gpm)	6 kW (8 HP)
500	40 m ³ /hr (176 gpm)	7.5 kW (10 HP)

Components

Reference Number	Description
1	Grease Nipple (x2)
2	Valves (x2)
3	Pump Shaft
4	Tape
5	Draining Port
6	Port (x2)
7	Solvent Inlet
8	By-pass
9	Pump
10	3-Way Valve (x2)



Functions / Operation



Drive Types



Hydraulic Drive



Diesel Motor Drive



Electric Engine Drive



ZI la Plaine des Isles • 2 rue des Caillottes
F-89000 AUXERRE - FRANCE
Tel: + 33.3.86.49.86.30 • Fax: + 33.3.86.46.42.10
contact@mouvex.com
mouvex.com

Authorized PSG® Partner: