

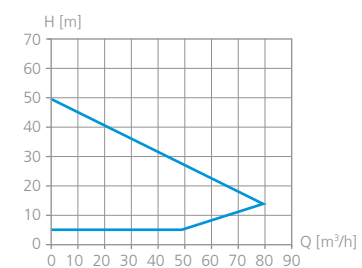
DESIGN VARIANTS – GEA HILGE SIPLA

Standard variants	Description
GEA Hilge SIPLA Adapta	Close-coupled pump with bearing bracket and coupling, horizontal installation
GEA Hilge SIPLA Adapta-SUPER	Close-coupled pump with bearing bracket and coupling, horizontal installation, motor with stainless steel shroud
GEA Hilge SIPLA Bloc	Close-coupled pump on motor base, horizontal installation
GEA Hilge SIPLA Bloc-SUPER	Close-coupled pump, horizontal installation, motor with stainless steel shroud
Variations upon request	Description
GEA Hilge SIPLA tronic	Horizontal/vertical installation, motor with built-in frequency converter

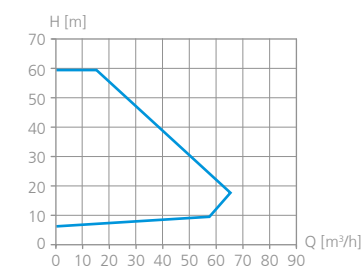
TECHNICAL DATA

GEA Hilge SIPLA	50 Hz	60 Hz
Flow	80 m ³ /h	65 m ³ /h
Head	50 m	60 m
Operating temperature	up to 95 °C	
Sterilization temperature	up to 140 °C (SIP)	
Operating pressure	PN 10	

PERFORMANCE CURVE
50 HZ



PERFORMANCE CURVE
60 HZ



We live our values.

Excellence • Passion • Integrity • Responsibility • GEA-versity

GEA Group is a global engineering company with multi-billion euro sales and operations in more than 50 countries. Founded in 1881, the company is one of the largest providers of innovative equipment and process technology. GEA Group is listed in the STOXX® Europe 600 Index.

GEA Germany
GEA Hilge GmbH & Co. KG
Hilgestraße 37–47
55294 Bodenheim, Germany

Tel +49 6135 7016-0
Fax +49 6135 1737

info@gea.com
gea.com

GEA VARIPUMP



GEA Hilge SIPLA

Single-Stage Self-Priming Side Channel Pumps
for Advanced Applications



gea.com

Optimize your Cleaning Processes

Ensure maximum process safety with the GEA Hilge SIPLA pump series in the GEA VARIPUMP line. GEA Hilge SIPLA offers reliable and smooth operation for the success of your production.

The GEA Hilge SIPLA range offers superior quality in every detail and unmatched reliability in most applications. These self-priming pumps can be counted on for a long operational lifetime, even under tough conditions, including liquids with a high air content, such as in SIP/CIP return systems.

Specialized Applications

The GEA Hilge SIPLA pump range is specially designed for applications in:

- Food and beverage
- Pharmaceutical industry
- Cleaning (return CIP)

Reliable and Tough

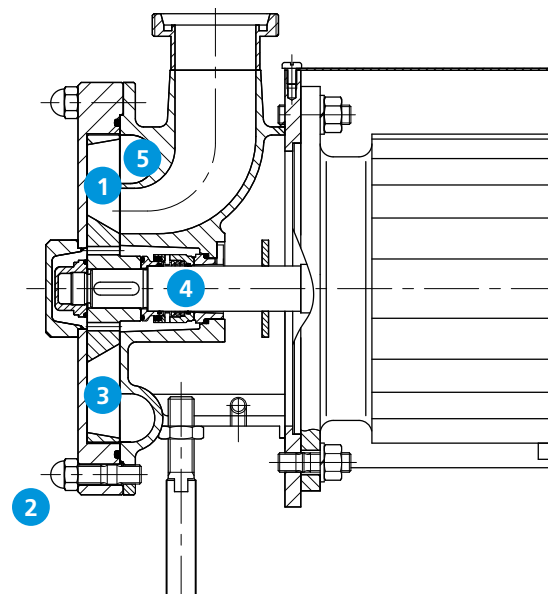
Robustness characterizes the components of the GEA Hilge SIPLA pump family. The all-stainless steel construction exemplifies the commitment at GEA Hilge to quality and efficiency.

Unique Pump Construction for Very Good Priming Performance

The GEA Hilge SIPLA range offers single-stage self-priming side channel pumps. The top casing connections ensure that GEA Hilge SIPLA pumps are not drained when not running.



FEATURES AND BENEFITS



1 Robust high-precision construction

Optimized hydraulics in housing and impeller for free liquid flow

2 Premium materials

For especially high reliability in continuous operation

3 Optimized star impeller

For secure pump operation, also with media of high gas content

Materials

Pump casing and front cover are precision stainless steel casting 1.4404. The open star impeller is stainless steel 1.4404.

Certificates and Documentation

- Test certificate e.g. according to DIN EN 10204, 2.2 or 3.1
- FDA certificates

4 Inboard mechanical seal

For effective cooling and lubrication

5 Self-priming side channel pump

For exceptional priming performance

Shaft Seals – Choose the One to Suit You

A wide range of shaft seal options is available to suit different media and applications. The mechanical seals used in GEA Hilge SIPLA pumps are single inboard seals that maintain the optimum position in the liquid. This ensures efficient cleaning and cooling.

Seal Options

- Mechanical seals with standard seal face material:
 - carbon/stainless steel or SiC/SiC
- O-ring material: EPDM or Viton
- Additional constructions and designs available upon request

The GEA VARIPUMP Line.

Customised Solutions for your Specialised Applications

A variety of pump solutions are found in the GEA Hilge SIPLA portfolio in the GEA VARIPUMP line. The range of these self-priming sanitary pumps lets you choose between several variants to suit your task.